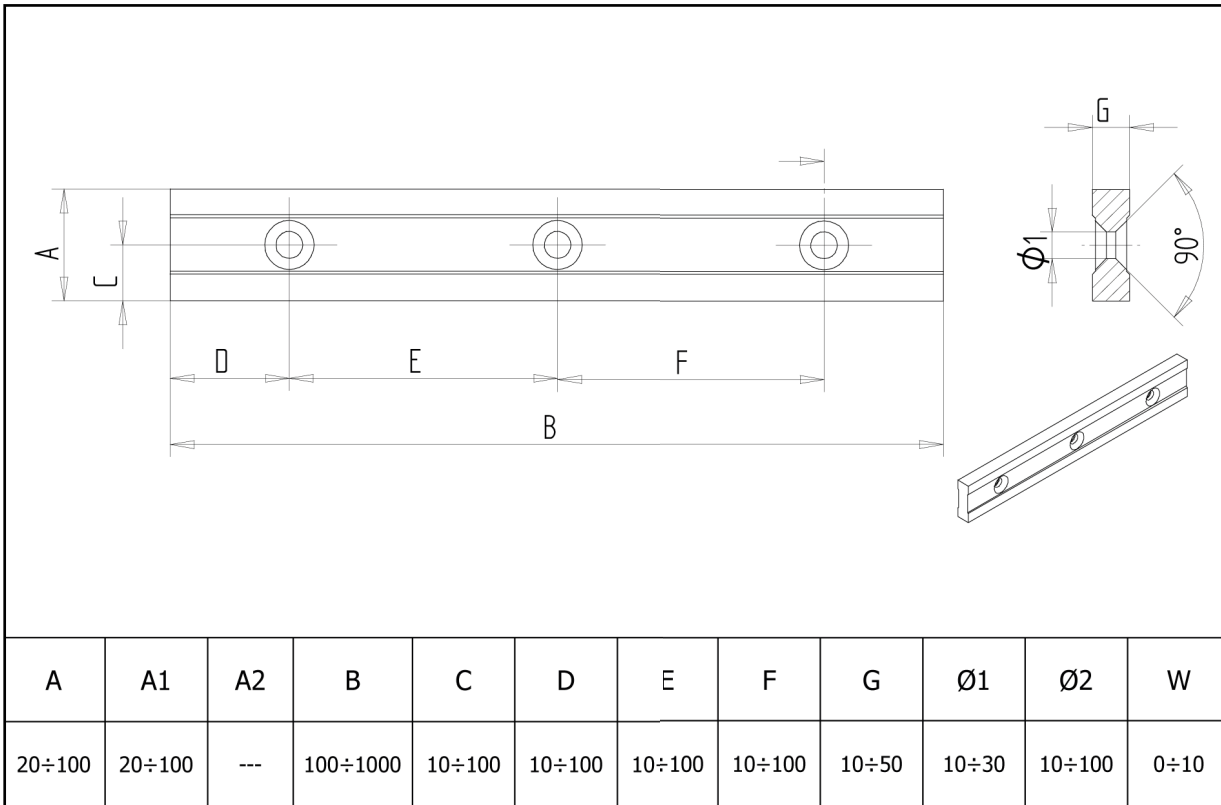


# BLADES FOR SQUARING SHEARS AND ROLLER SHEARS

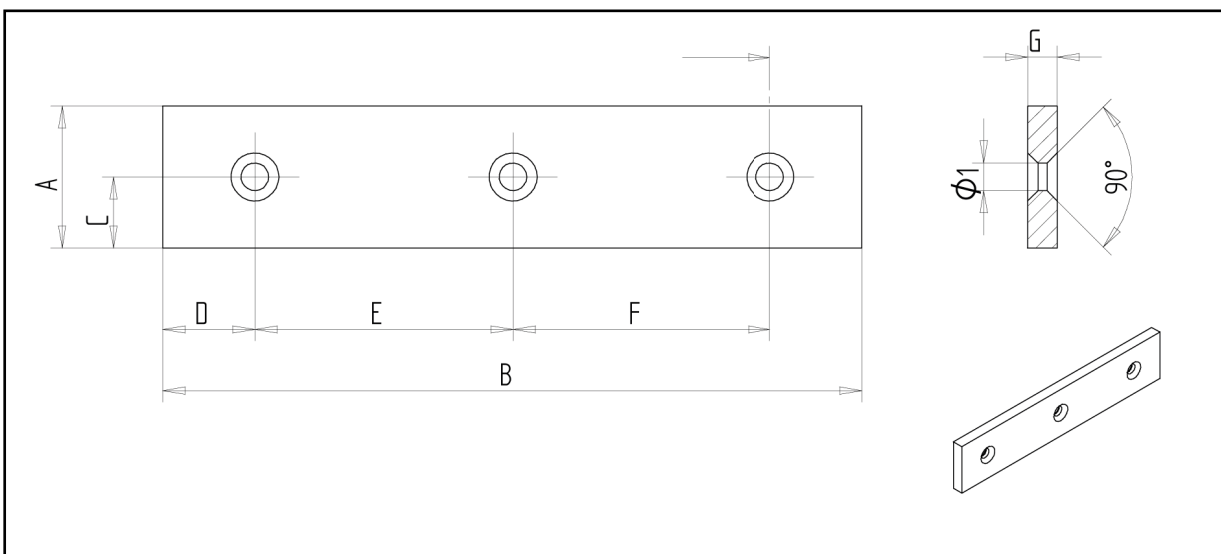


[wromet.com.pl](http://wromet.com.pl)

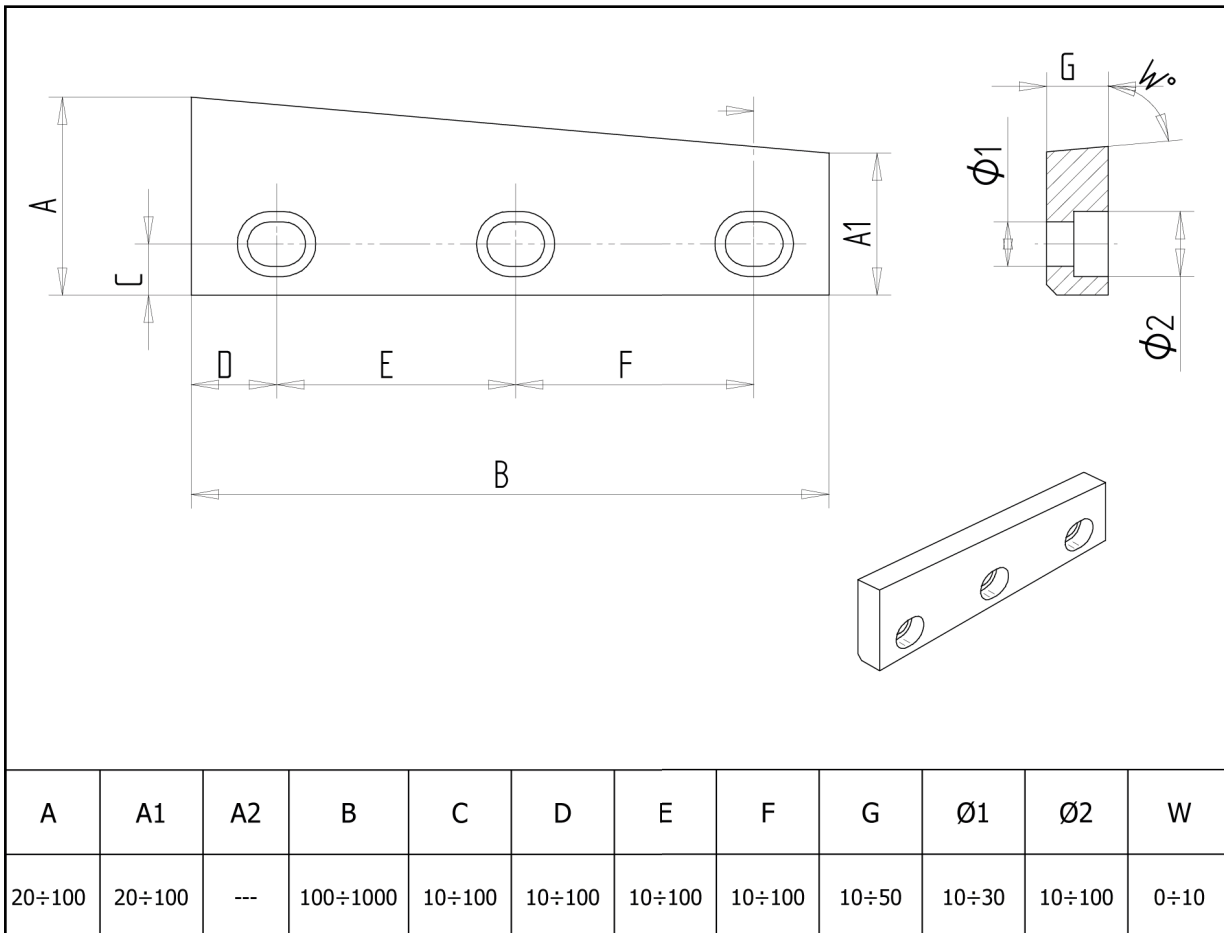
BLADES FOR SQUARING SHEARS - SIMPLE



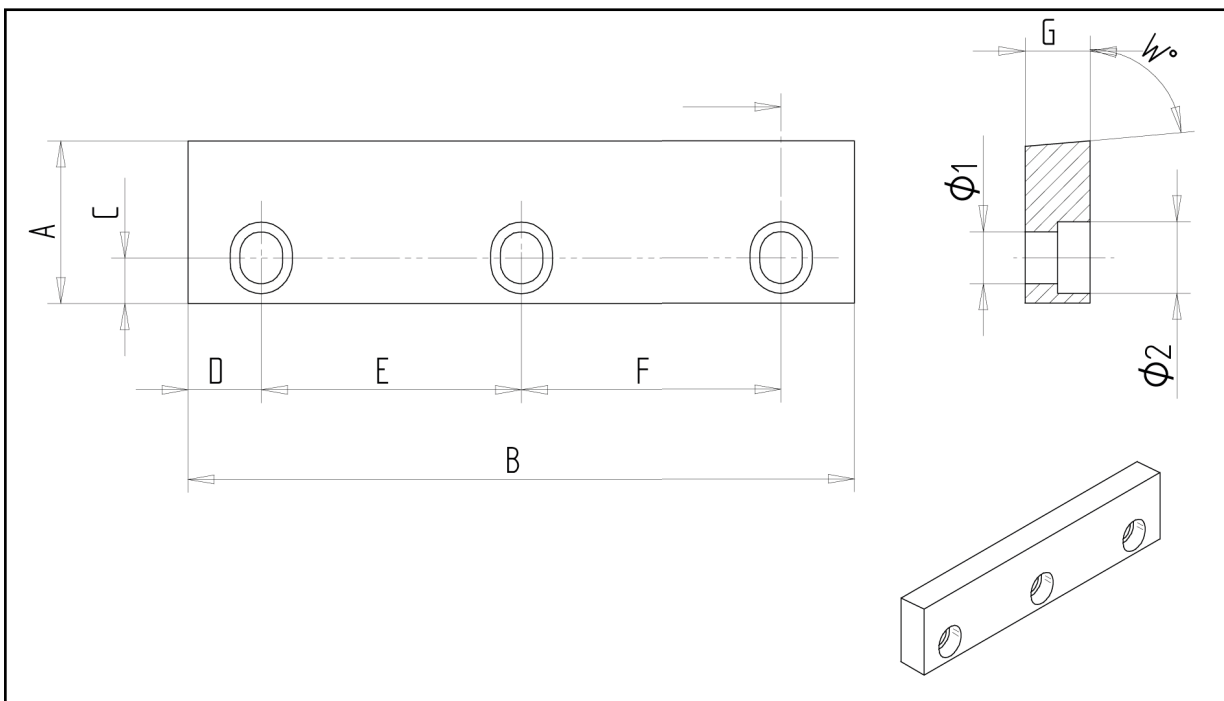
There is a possibility of knives with different shapes and dimensions than those.



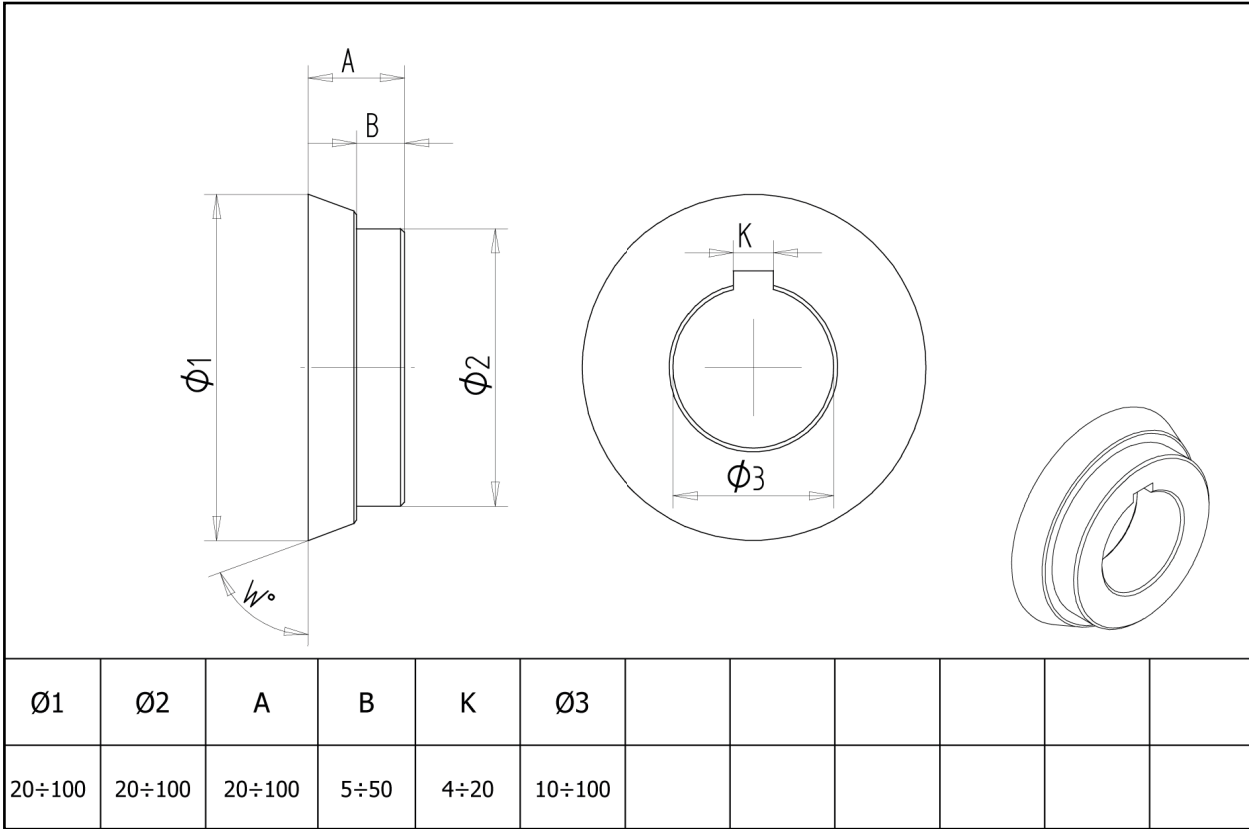
BLADES FOR SQUARING SHEARS - BEVELED



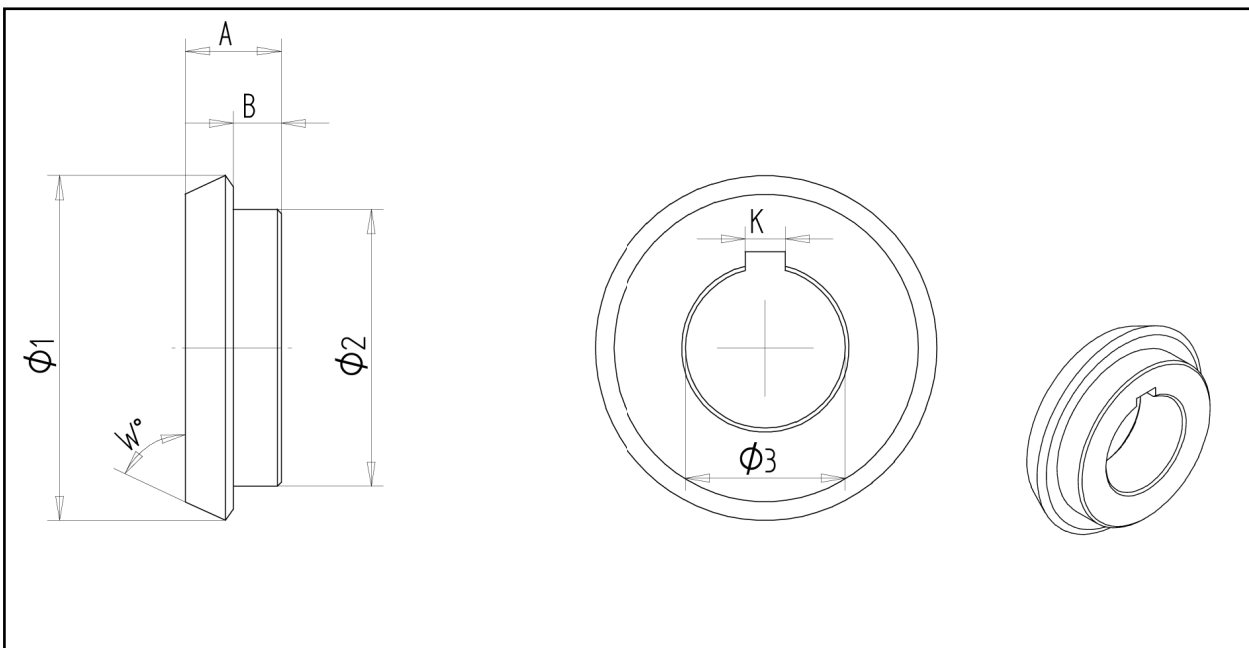
There is a possibility of knives with different shapes and dimensions than those.

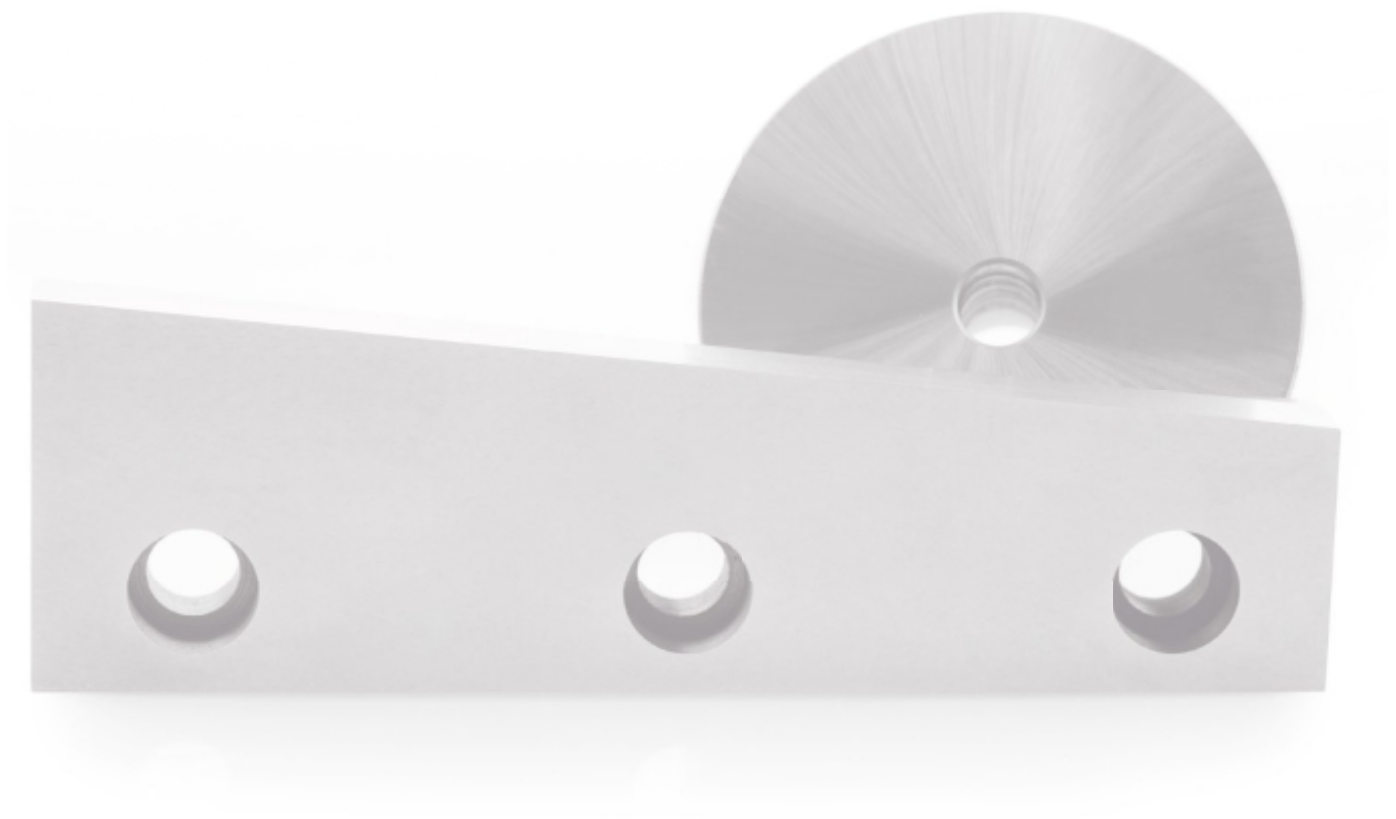


ROLLER CUTTERS - OBLIQUE



There is a possibility of knives with different shapes and dimensions than those.







**DESIGN AND CONSTRUCTION :**

- PUNCHES • TRIMMER • PUNCHES AND DIES FOR PUMPING
- PUNCHES AND DIES FOR CUTTING • CNC
- ENGRAVING • TECHNICAL HEAT TREATMENT



**WROMET Sp. z o.o.**  
ul. Kaczeńcowa 2  
62-510 Konin

tel. +48 63 245 80 01  
[info@wromet.com.pl](mailto:info@wromet.com.pl)

NIP PL 665-294-89-81  
KRS: 000362355